



Clearance Publish

Clearance=50mm

REVISED
10/05/2005

Clearance Computation Specification

Products Selected

NSB_0001 SOLENOID CHIMNEY FOR BARREL LAR - SIMPLIFIED 3D OBJECT	NSB_0004 LAR BARREL ELECTRONIC CRATES - SIMPLIFIED 3-D OBJECT	14.46	Not Relevant
	NSB_0006 LAR VACUUM FT LINES SIDE A - SIMPLIFIED 3D OBJECTS	6.48	Not Relevant
	NSB_0009 BARREL LAR TOP FT VACUUM LINES - SIMPLIFIED 3D OBJECT	31.63	Not Relevant
	NSB_0013 BARREL CALORIMETER SERVICES - IN SECTOR 5 ON SIDE A	4.65	Not Relevant
	NSB_0014 BARREL CALORIMETER SERVICES - IN SECTOR 5 ON SIDE C	4.65	Relevant

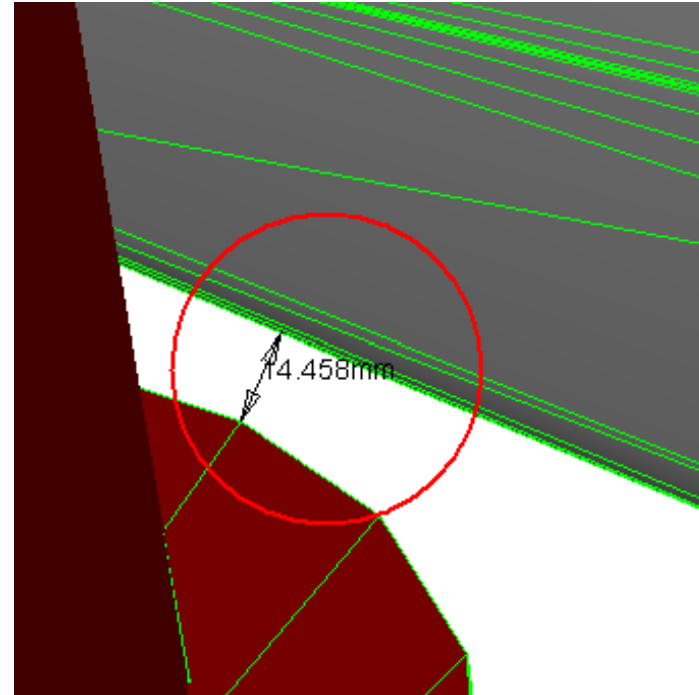
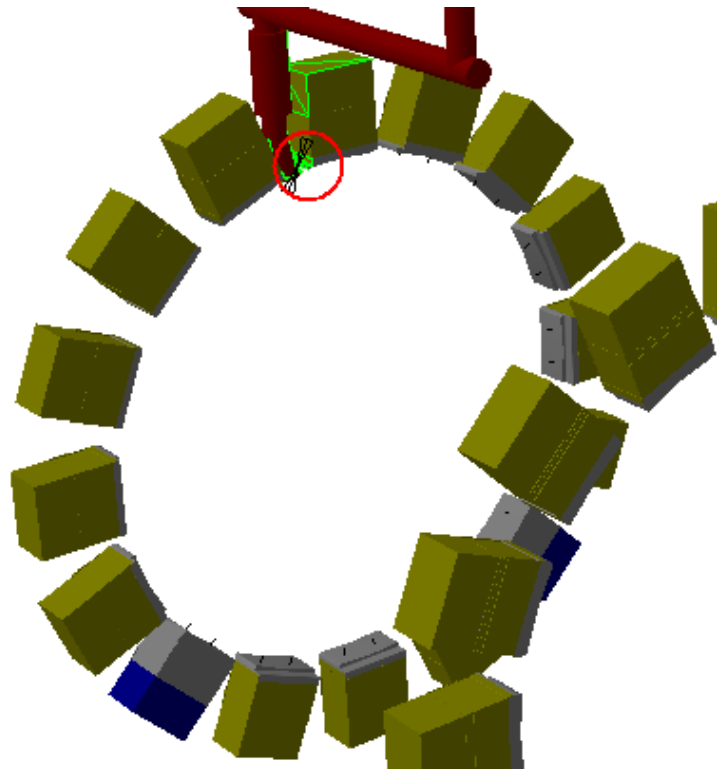
Designer: Peter Kulka

WIT – Warning for the Integration Team

Products Selected

<p>NSB__0002 BARREL CALORIMETER CRYOGENIC LINES - SIMPLIFIED 3D OBJECTS</p>	<p>NSB__0004 LAR BARREL ELECTRONIC CRATES - SIMPLIFIED 3-D OBJECT NSB__0005 LAR VACUUM FT LINES SIDE C - SIMPLIFIED 3D OBJECTS NSB__0006 LAR VACUUM FT LINES SIDE A - SIMPLIFIED 3D OBJECTS NSB__0009 BARREL LAR TOP FT VACUUM LINES - SIMPLIFIED 3D OBJECT NSB__0012 BARREL CALORIMETER SERVICES - IN SECTOR 3(7) ON SIDE C(A) NSB__0014 BARREL CALORIMETER SERVICES - IN SECTOR 5 ON SIDE C</p>	<p>32.54 6.31 6.3 38.06 4.9 21.94</p>	<p>Not Relevant Not Relevant Not Relevant Solved Relevant Relevant</p>
<p>NSB__0003 BARREL CALORIMETER LAR DRAIN LINE - SIMPLIFIED 3D OBJECT</p>	<p>NSB__0006 LAR VACUUM FT LINES SIDE A - SIMPLIFIED 3D OBJECTS NSB__0007 BARREL LAR INSULATION LINE - SIMPLIFIED 3D OBJECT NSB__0008 BARREL LAR BOTTOM FT VACUUM LINES - SIMPLIFIED 3D OBJECT</p>	<p>8.98 19.21 22.48</p>	<p>Relevant/WIT Not Relevant Relevant/WIT</p>
<p>NSB__0004 LAR BARREL ELECTRONIC CRATES - SIMPLIFIED 3-D OBJECT</p>	<p>NSB__0005 LAR VACUUM FT LINES SIDE C - SIMPLIFIED 3D OBJECTS NSB__0006 LAR VACUUM FT LINES SIDE A - SIMPLIFIED 3D OBJECTS NSB__0007 BARREL LAR INSULATION LINE - SIMPLIFIED 3D OBJECT</p>	<p>4.34 4.35 15.39</p>	<p>Not Relevant Not Relevant Not Relevant</p>
<p>NSB__0008 BARREL LAR BOTTOM FT VACUUM LINES - SIMPLIFIED 3D OBJECT NSB__0009 BARREL LAR TOP FT VACUUM LINES - SIMPLIFIED 3D OBJECT</p>	<p>NSE__0004 DRAIN PIPE FOR - LAR END-CAP CALORIMETER NSB__0014 BARREL CALORIMETER SERVICES - IN SECTOR 5 ON SIDE C</p>	<p>49.46 5.24</p>	<p>Not Relevant Relevant/WIT</p>

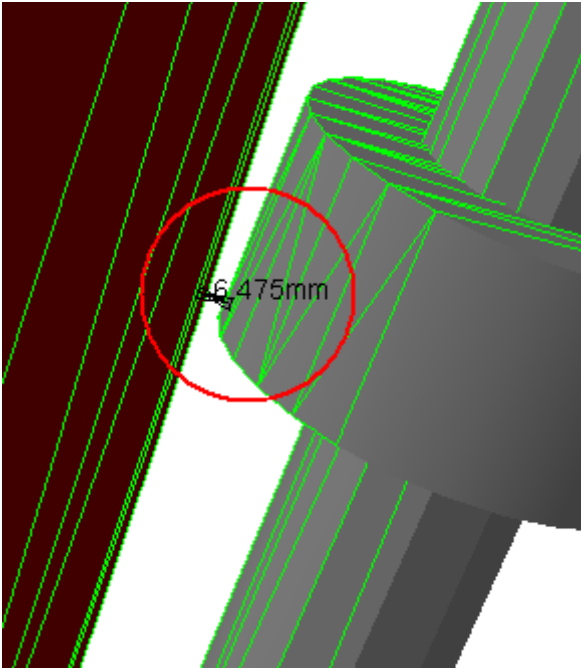
NSB__0001	NSB__0004	Value=14.46mm	Not Relevant
-----------	-----------	---------------	--------------



Side A
Sector 5

Peter: Parts are already installed

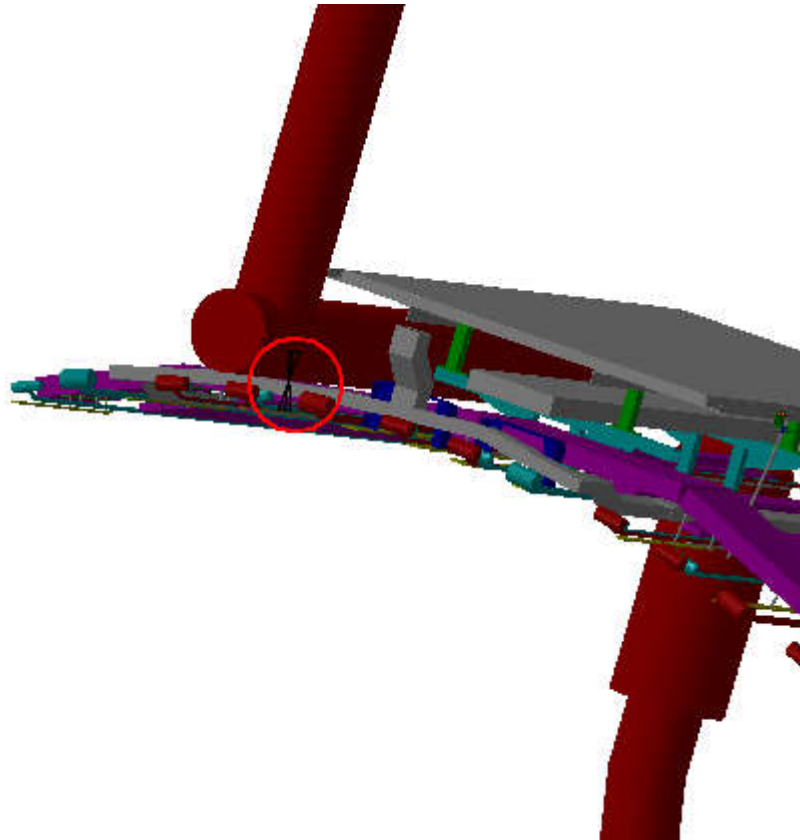
NSB__0001	NSB__0006	Value=6.48	Not Relevant
-----------	-----------	------------	--------------



Peter: Parts are already Installed

Side A
Sector 5

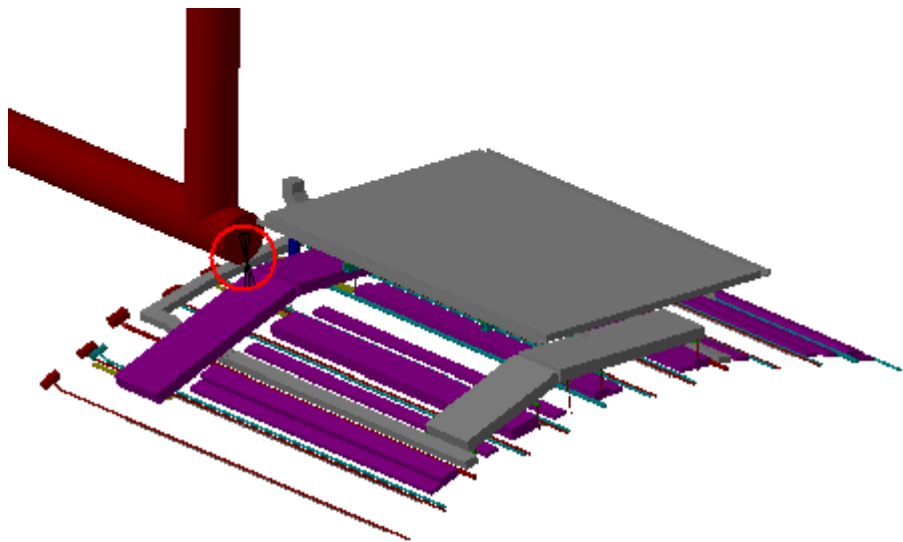
NSB__0001	NSB__0013	Value =~4.65	Not Relevant
-----------	-----------	--------------	--------------



Side A
Sector 5

Peter: This is Interface

NSB__0001	NSB__0014	Value ≈4.65	Relevant
-----------	-----------	-------------	----------



Side A
Sector 5

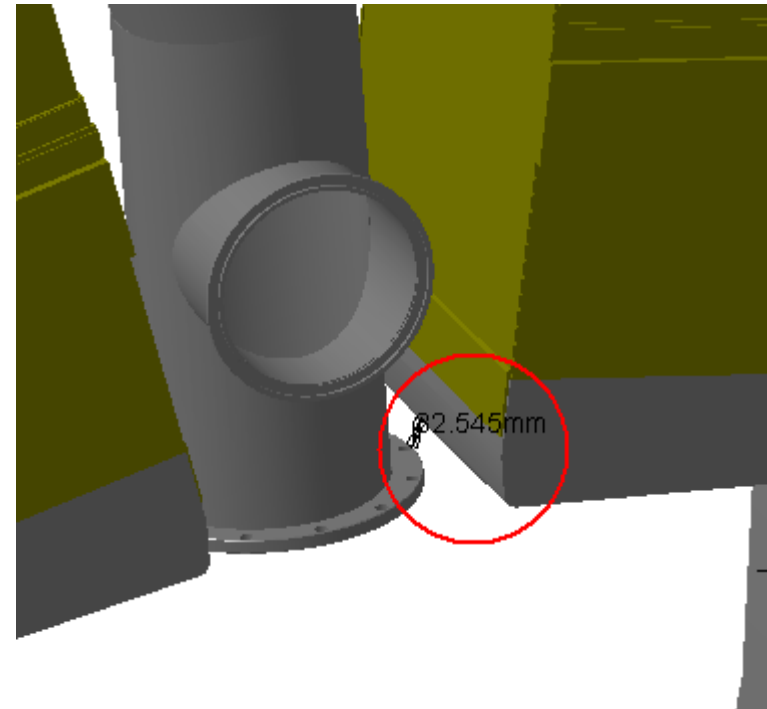
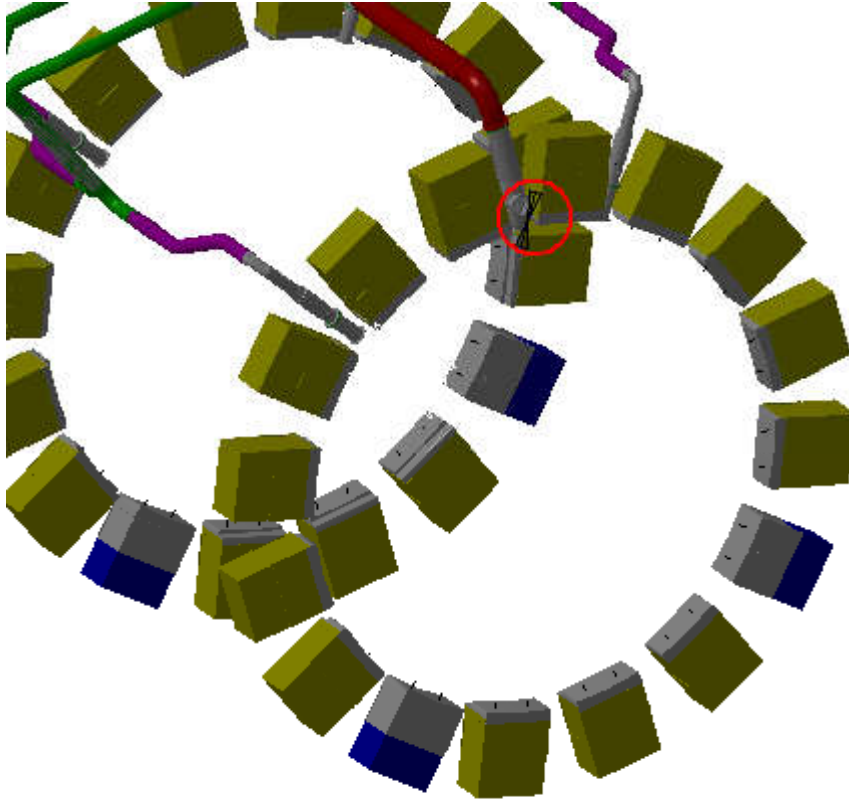
Peter: Under Discussion

NSB_0002

NSB_0004

Value = 32.54

Not Relevant



Side C

Sector 5

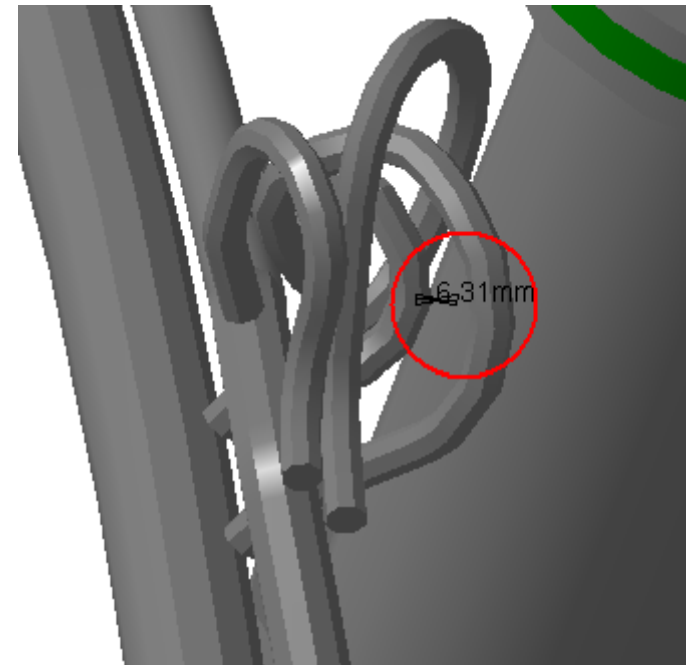
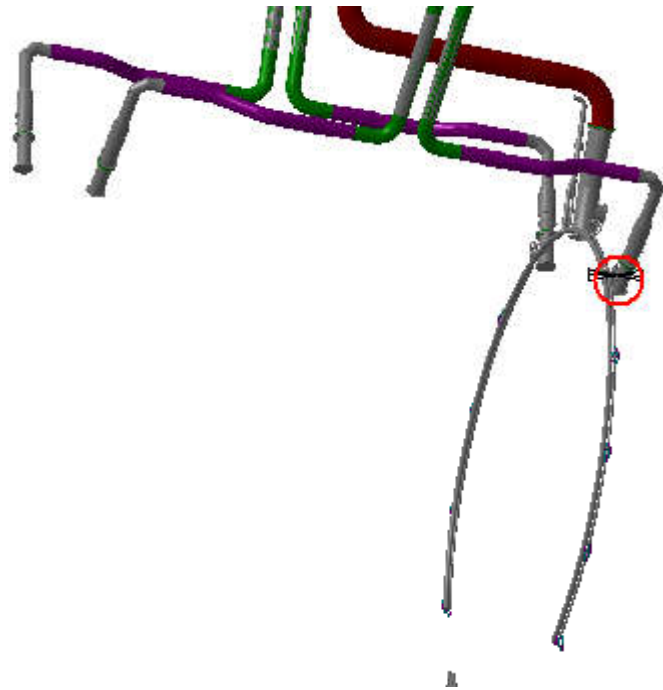
Peter: Parts are already Installed

NSB_0002

NSB_0005

Value = 6.31

Not Relevant

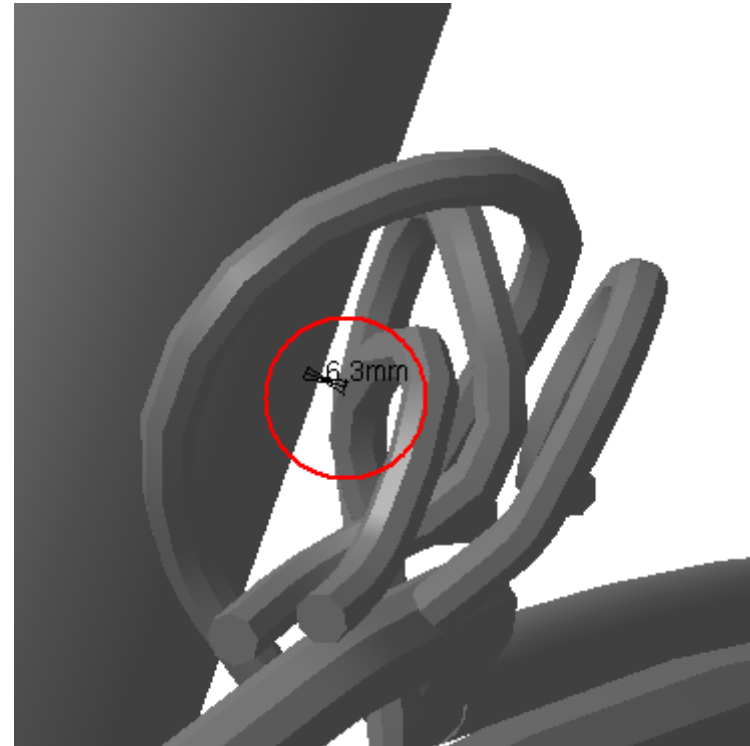
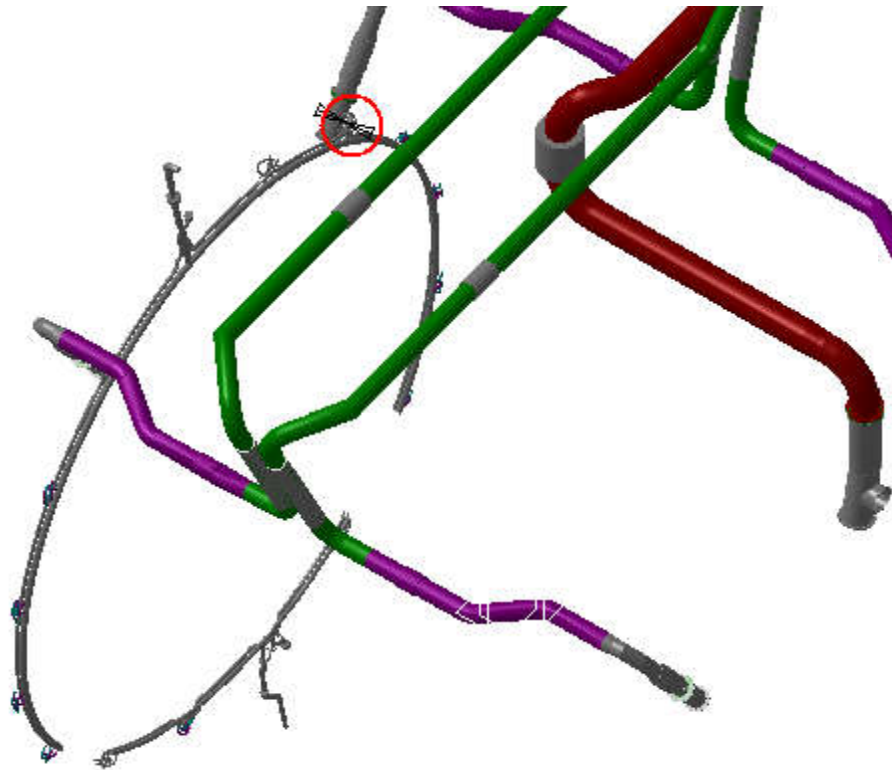


Peter: This pipes are flexible

Side C

Sector 3

NSB_0002	NSB_0006	Value = 6.3	Not Relevant
----------	----------	-------------	--------------



Side C
Sector 7

Peter: This pipes are flexible

Solved !

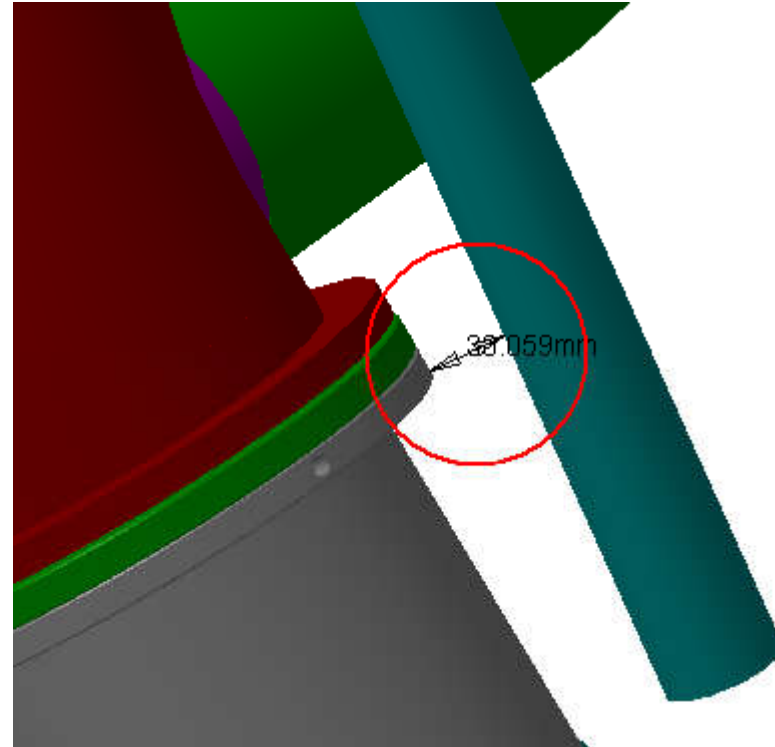
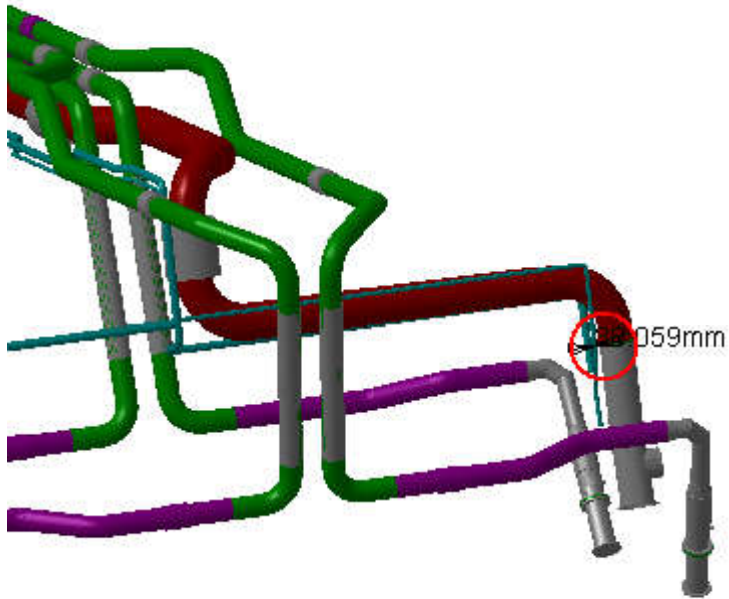
RELEVANT

NSB_0002

NSB_0009

Value = 38.06mm

Relevant



Peter: We have no choice

Side C
Sector 5

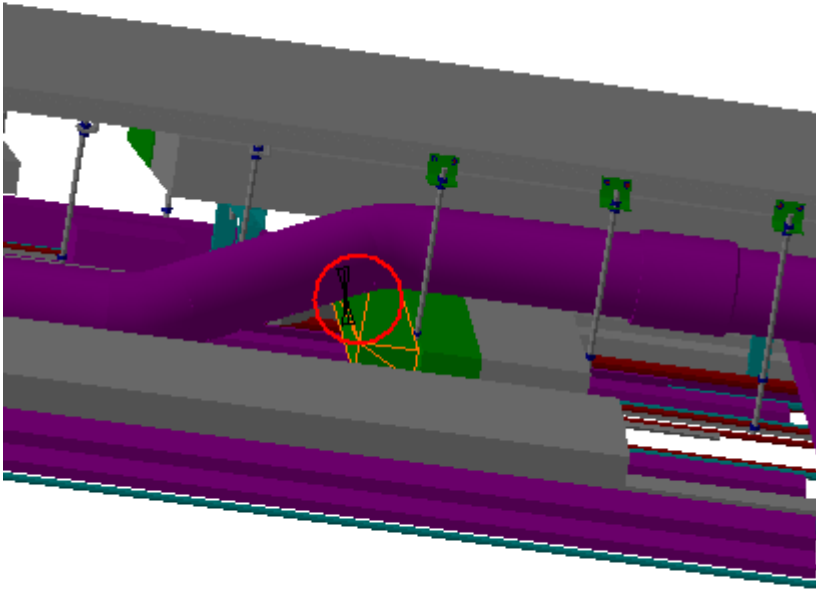
Lasha: I define status as relevant to pay attention of integration team

NSB__0002

NSB__00012

Value = 4.9mm

Relevant

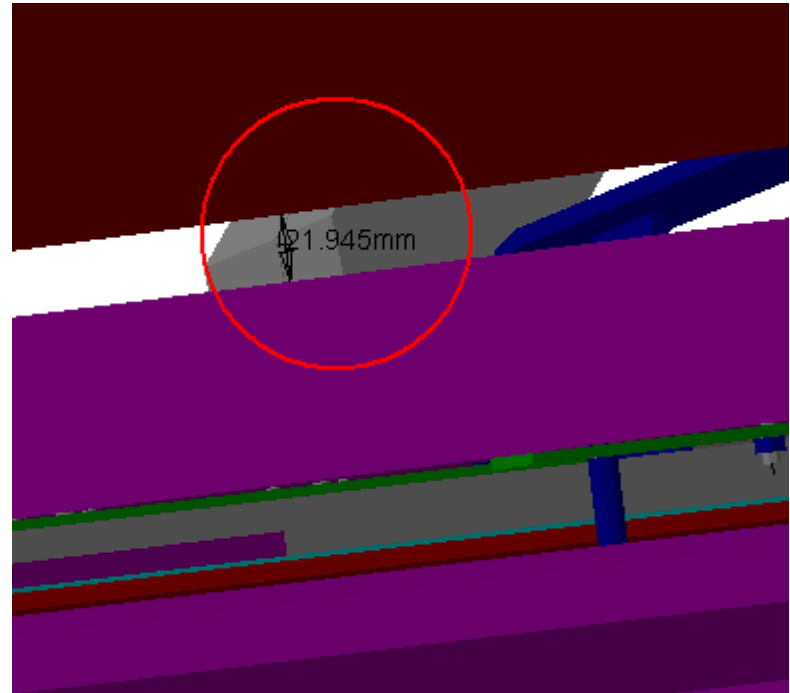
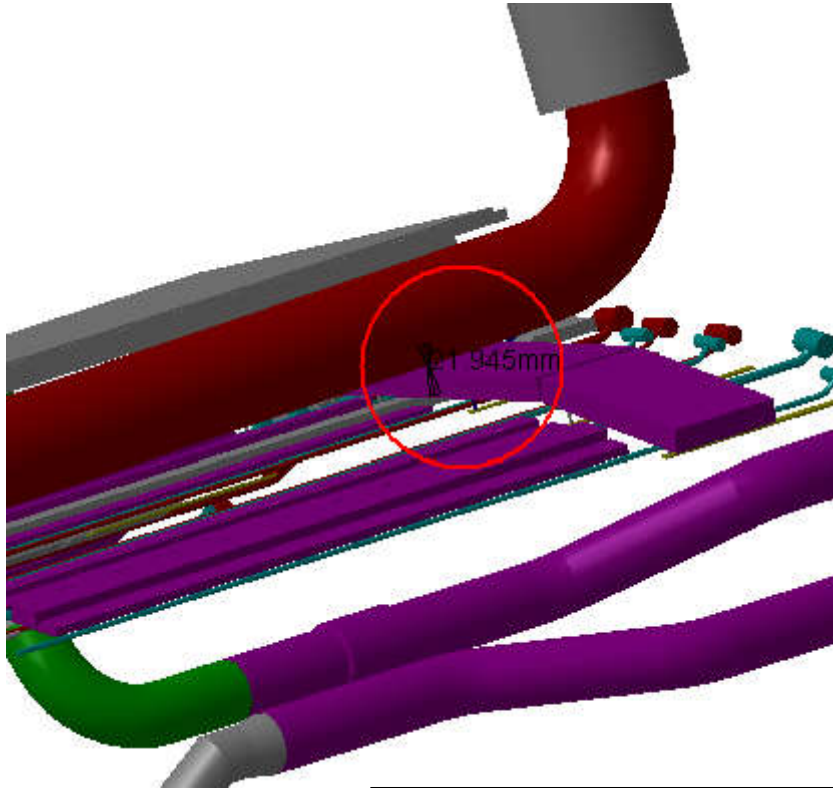


Peter: 1st pipes will be installed,
so cable trays can be adjusted

Side C
Sector 3

Lasha: I define status as relevant to pay attention
of integration team

NSB__0002	NSB__00014	Value = 21.94mm	Relevant
-----------	------------	-----------------	----------



Peter: 1st pipes will be installed, so cable trays can be adjusted

Side A
Sector 5

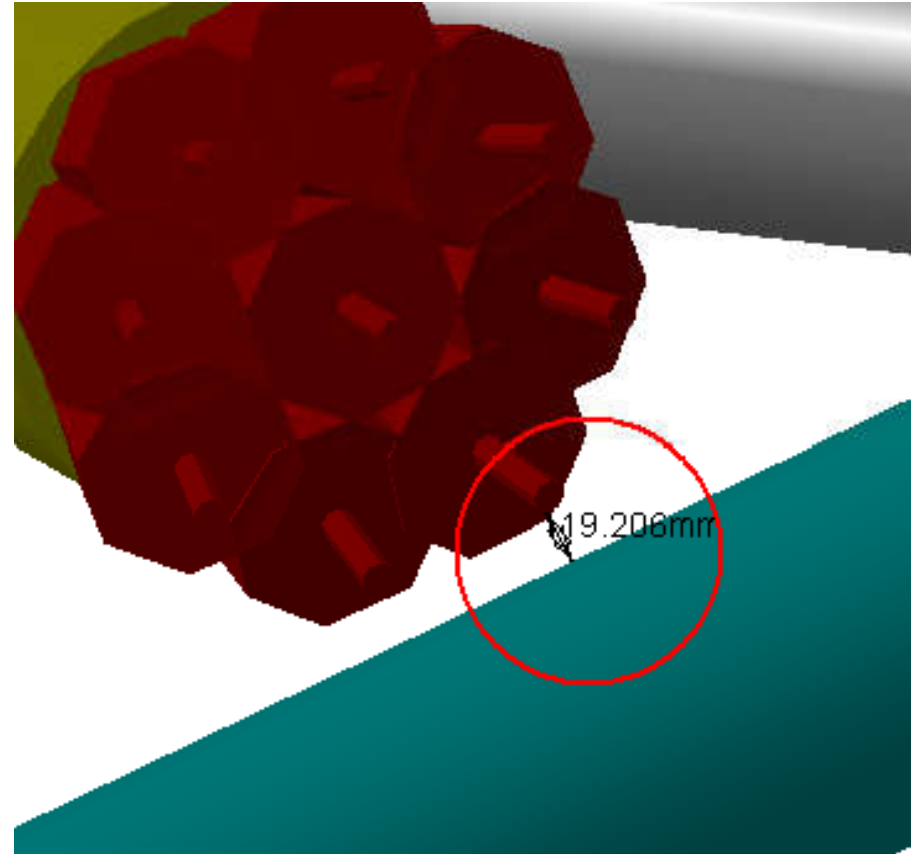
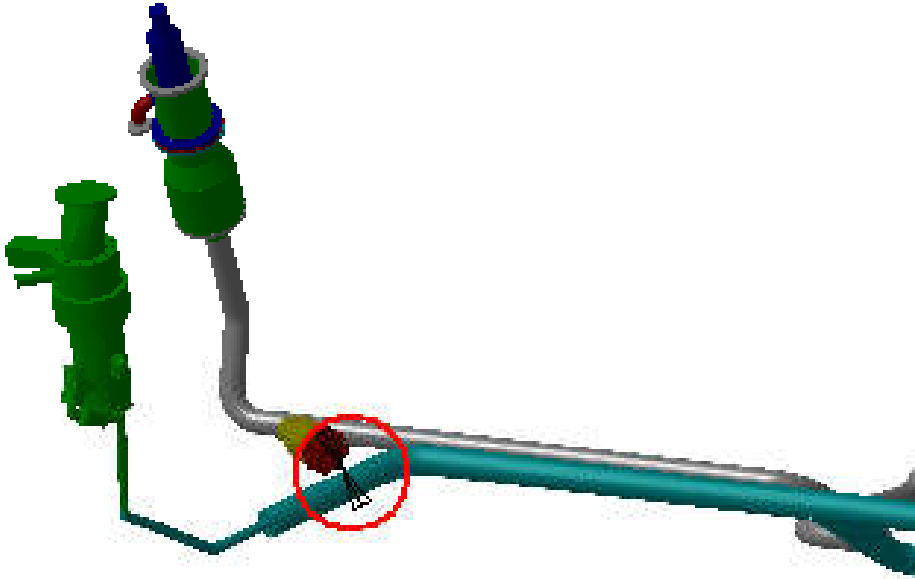
Lasha: I define status as relevant to pay attention of integration team

NSB__0003

NSB__0007

Value = 19.21

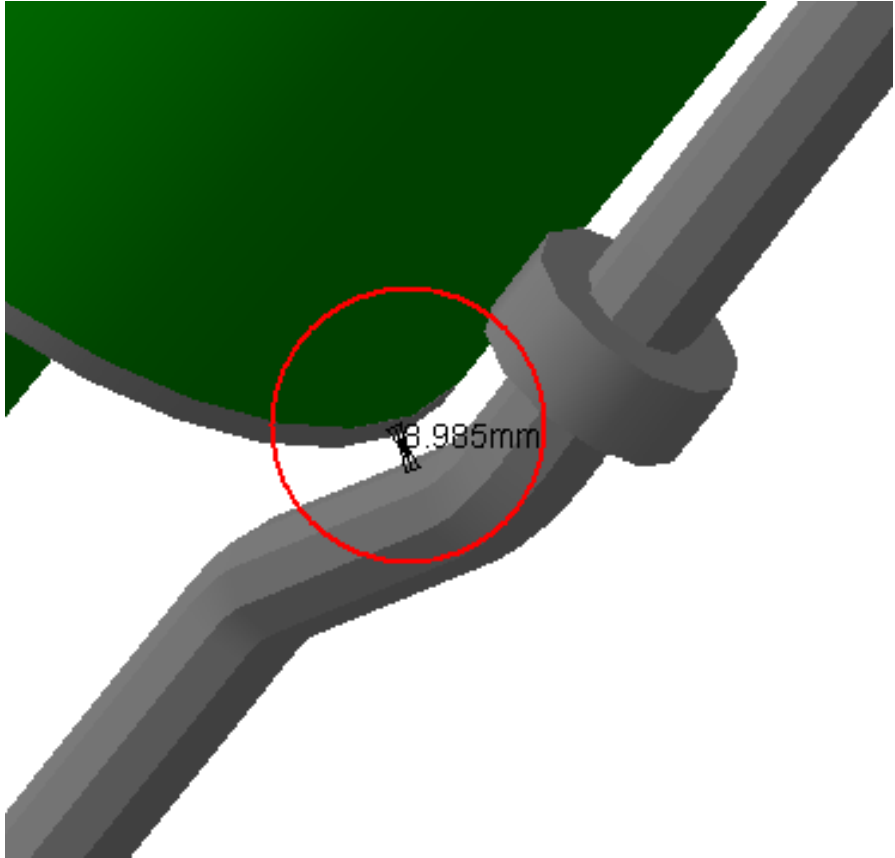
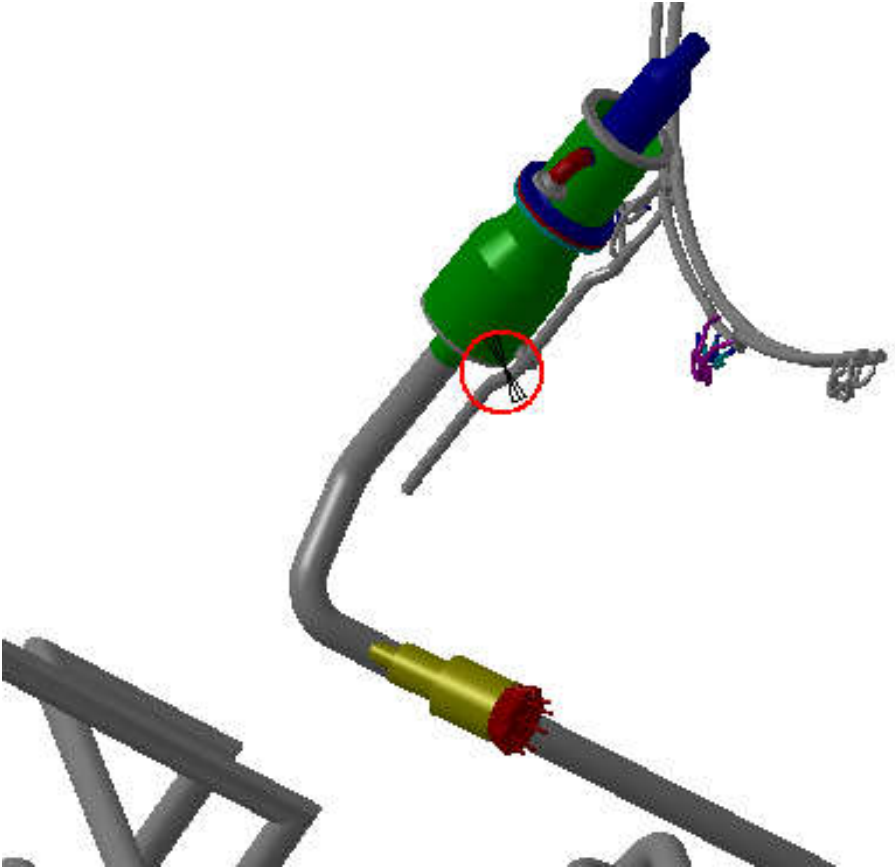
Not Relevant



Side A
Sector 13

Peter: Critical parts are temporary and will be removed after installation

NSB__0003	NSB__0006	Value = 8.98mm	Relevant
-----------	-----------	----------------	----------

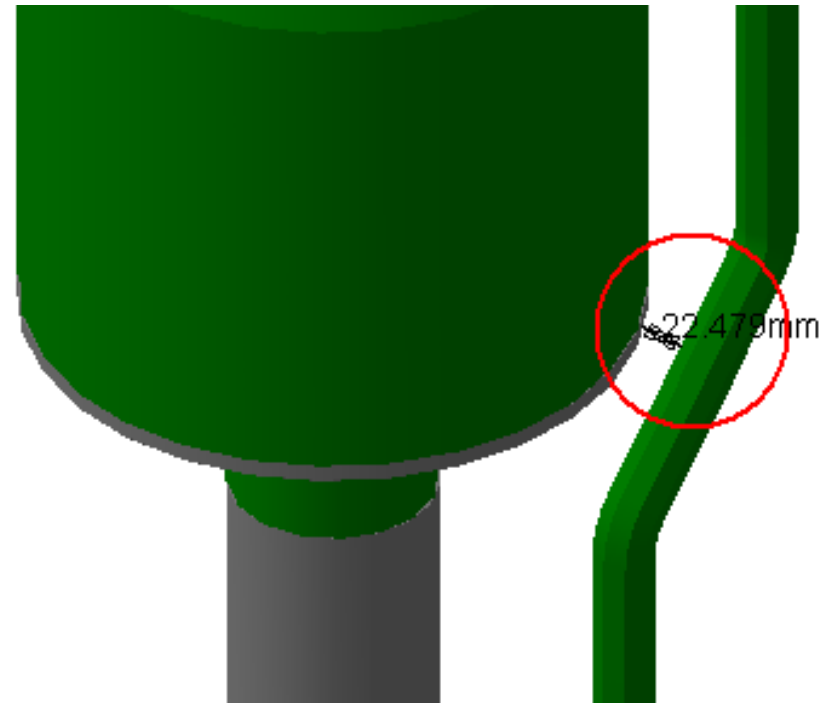
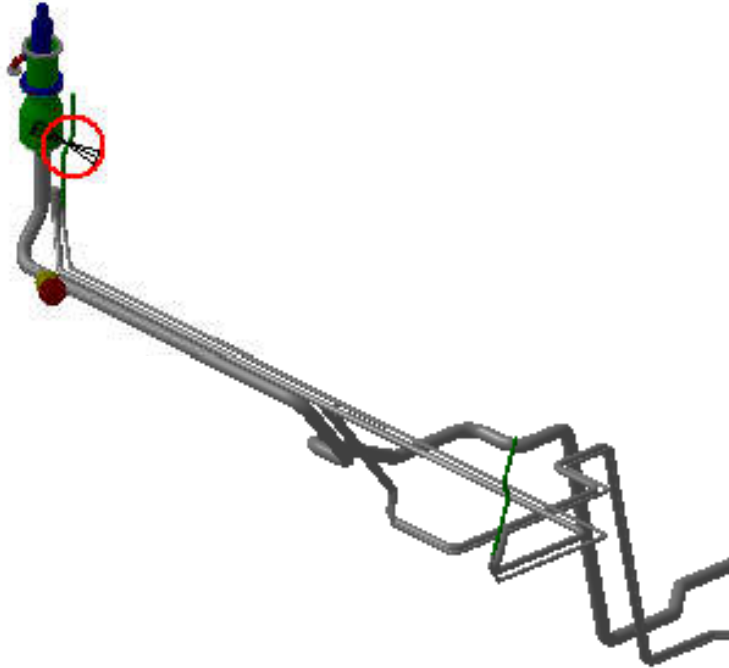


Warning for the Installation team !

Side A
Sector 13

Peter: Needs to check status of installation

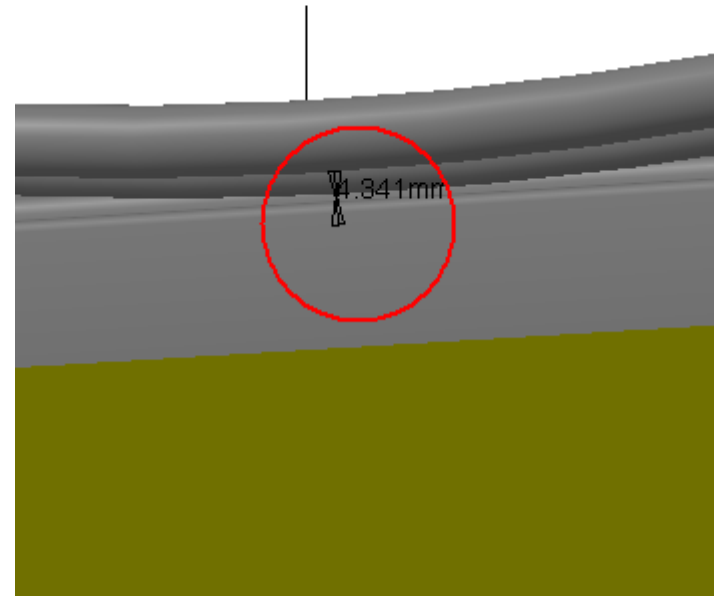
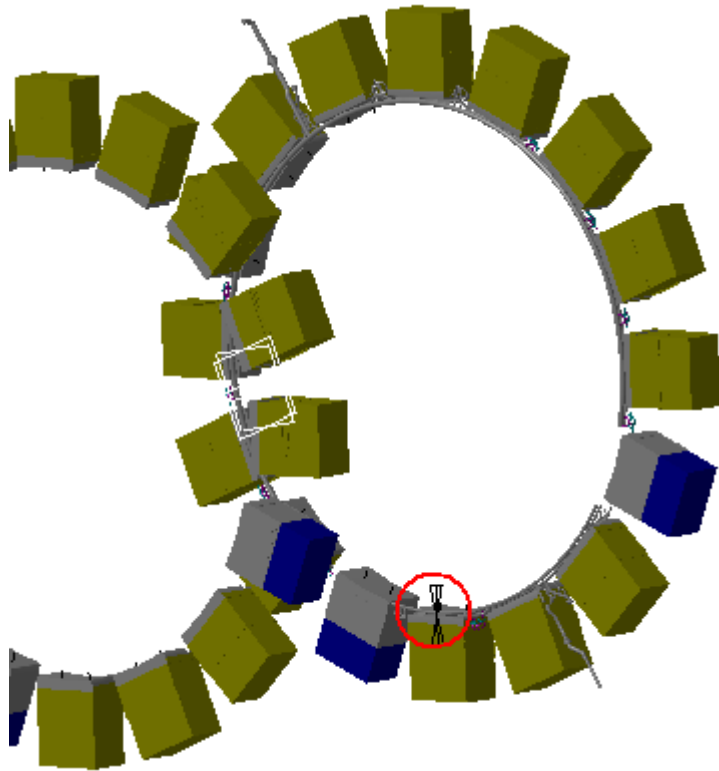
NSB__0003	NSB__0008	Value = 22.48mm	Relevant
-----------	-----------	-----------------	----------



Warning for the Installation team !

Peter: Needs to check status of installation

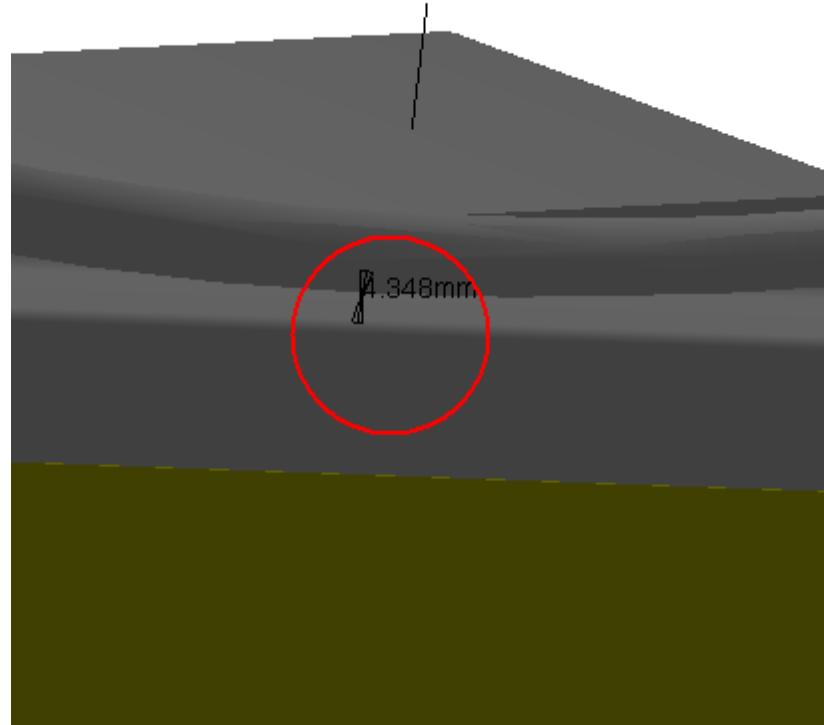
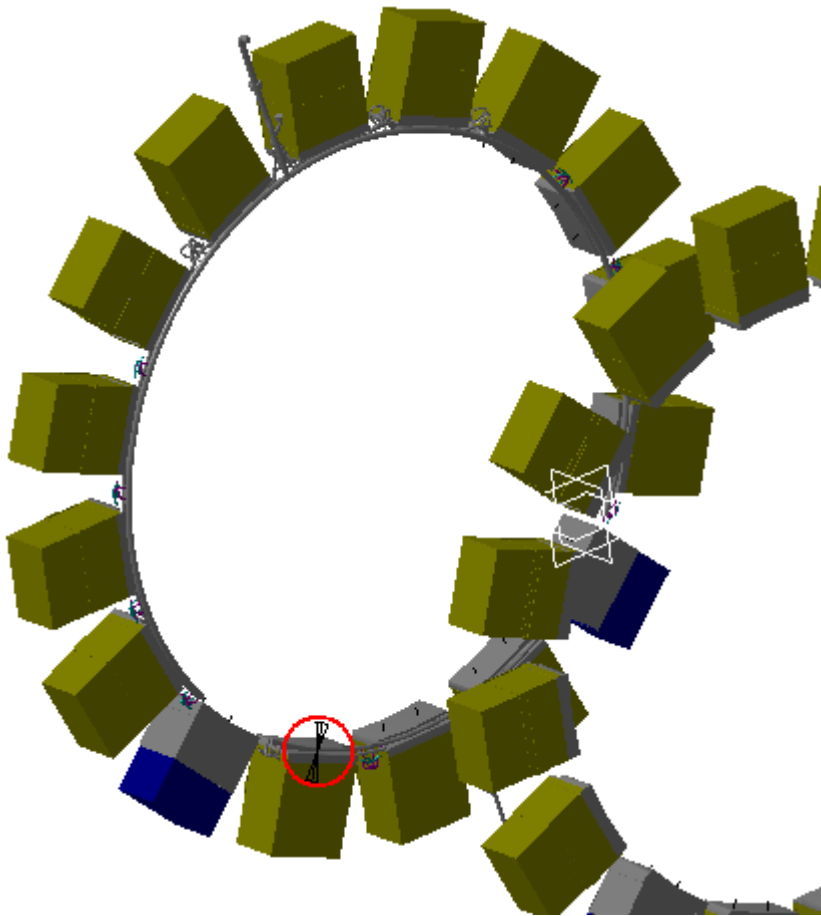
NSB__0004	NSB__0005	Value = 4.34mm	Not Relevant
-----------	-----------	----------------	--------------



Side C
Sector 12

Peter: Already Installed

NSB__0004	NSB__0006	Value = 4.35mm	Not Relevant
-----------	-----------	----------------	--------------



Side A
Sector 14

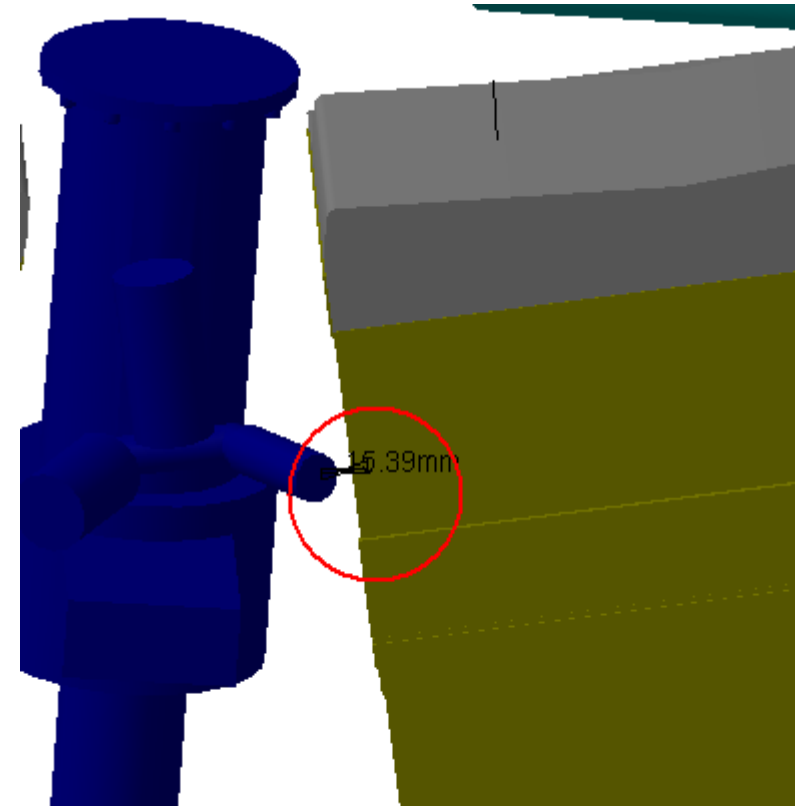
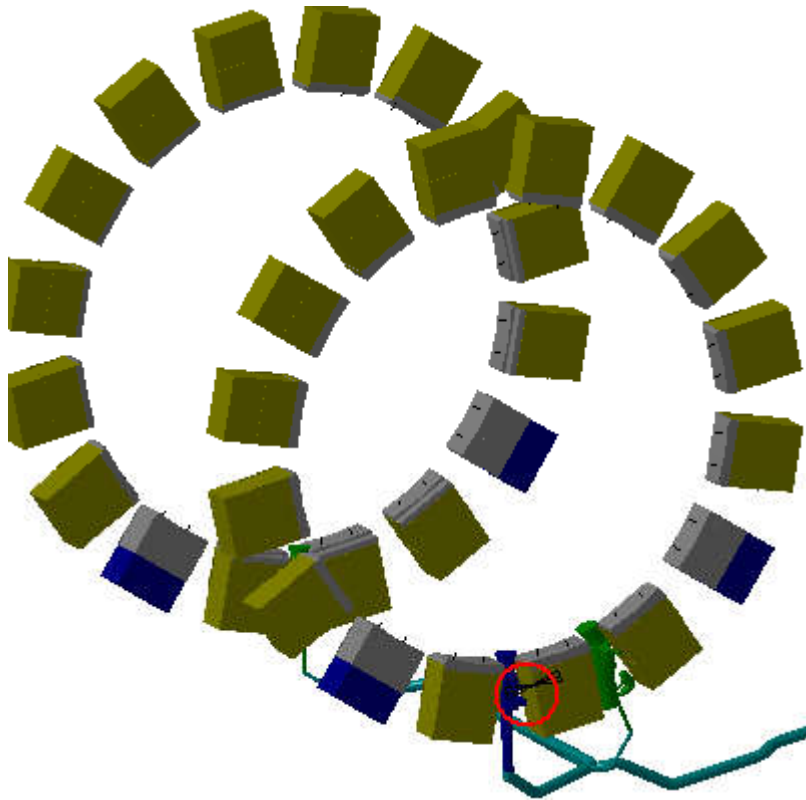
Peter: Already Installed

NSB__0004

NSB__0007

Value = 15.39mm

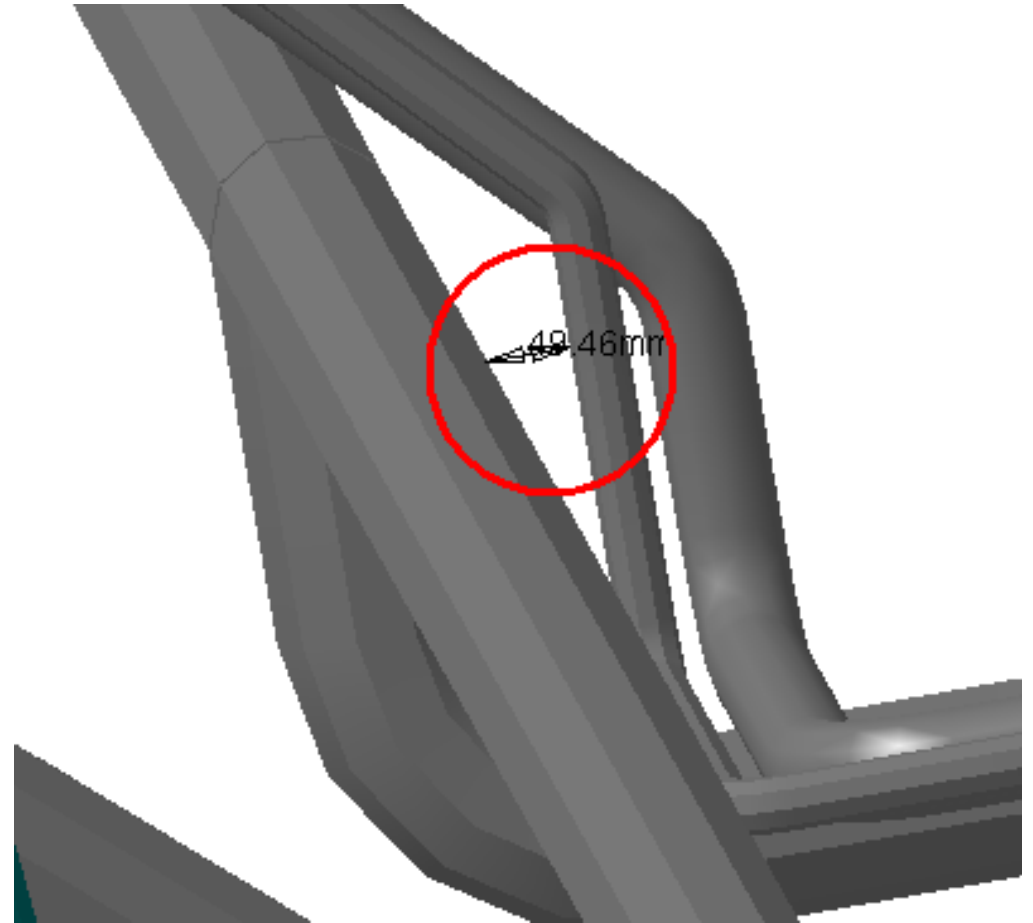
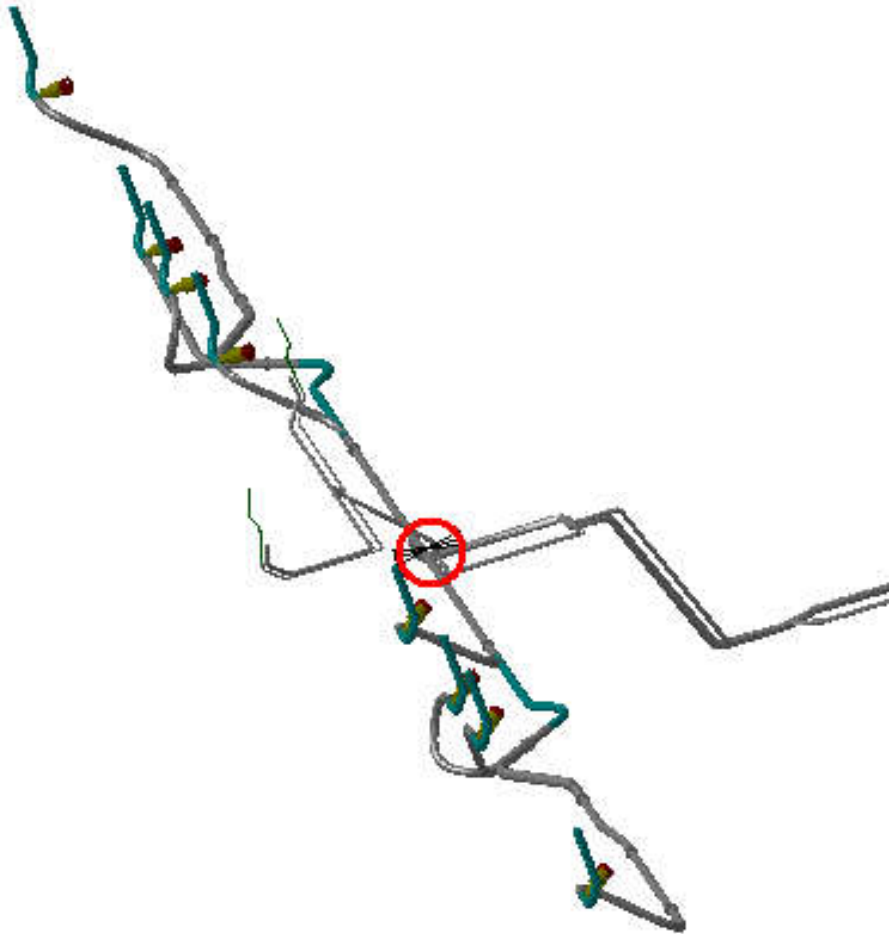
Not Relevant



Side C
Sector 13

Peter: Already Installed

NSB_0008	NSE_0004	Value = 49.46mm	Not Relevant
----------	----------	-----------------	--------------



Side C
Sector 13

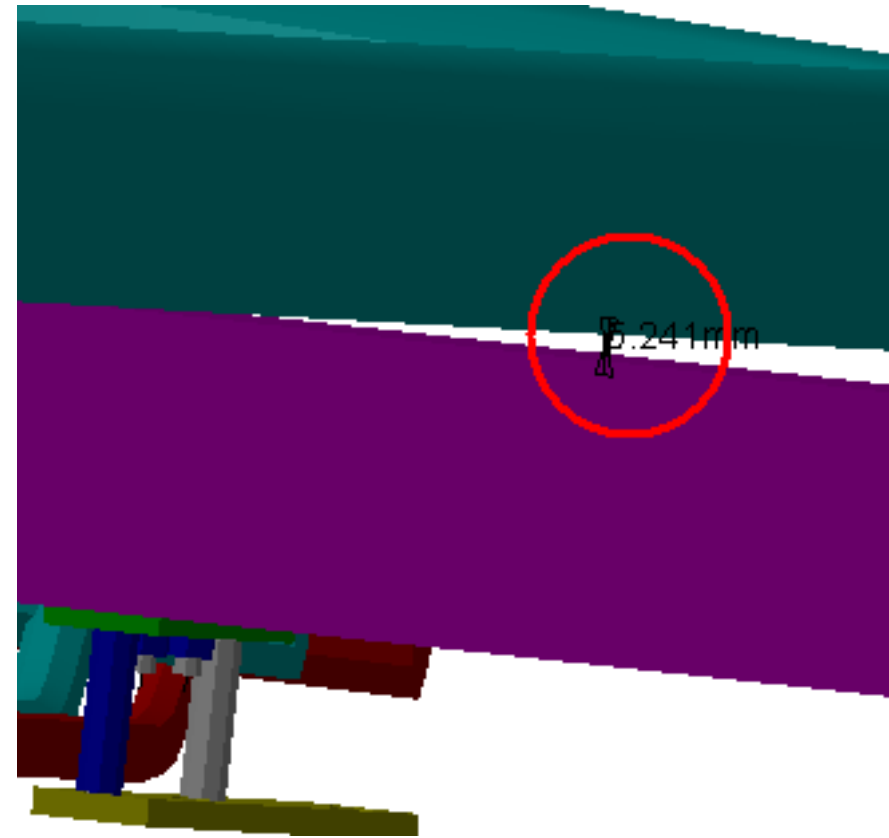
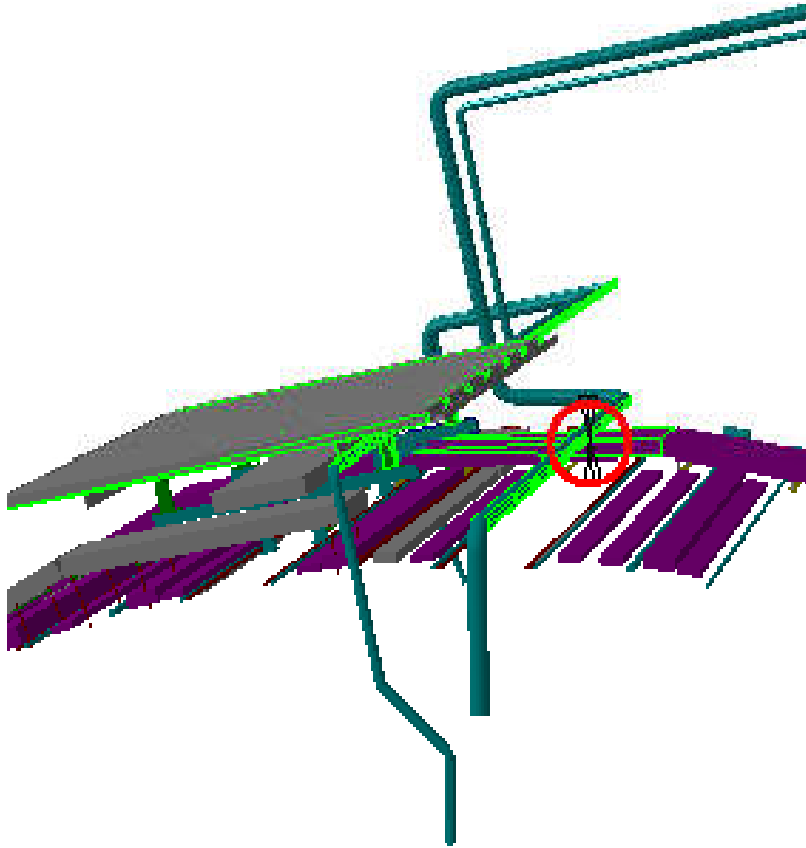
RELEVANT

NSB_0009

NSB_0014

Value = 5.24mm

Relevant



Warning for the Installation team !

Side A

Sector 5

Peter: Needs to check status of installation